

Adjustable Air Deflector Kit for Harley Davidson Electra Glide Street Glide

VST-010103-017



BEFORE YOU BEGIN

Read these instructions and check to be sure all parts and tools are accounted for. Please retain these installation instructions for future reference.

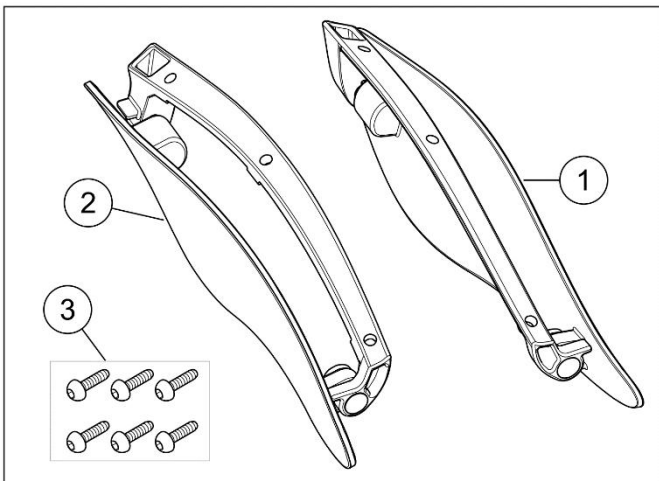
IMPORTANT

This ADJUSTABLE AIR DEFLECTOR KIT is exclusively designed for your Motorcycle. Please read the installation instructions thoroughly before beginning. Installation is easier if the vehicle is clean and free of debris.

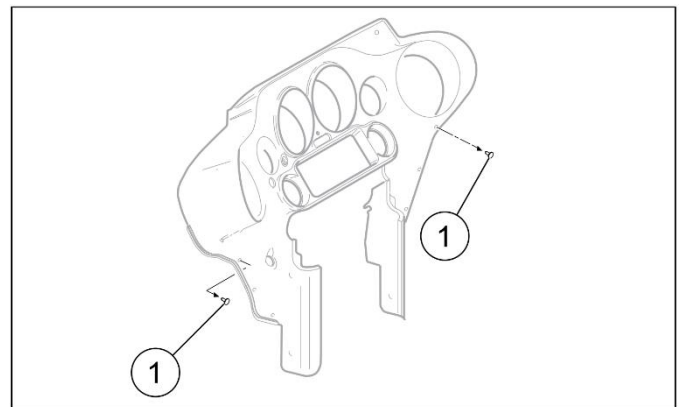
INSTALLATION INSTRUCTIONS

Note: Shift Motorcycle transmission into "PARK". Turn key to "OFF" position and remove from Motorcycle.

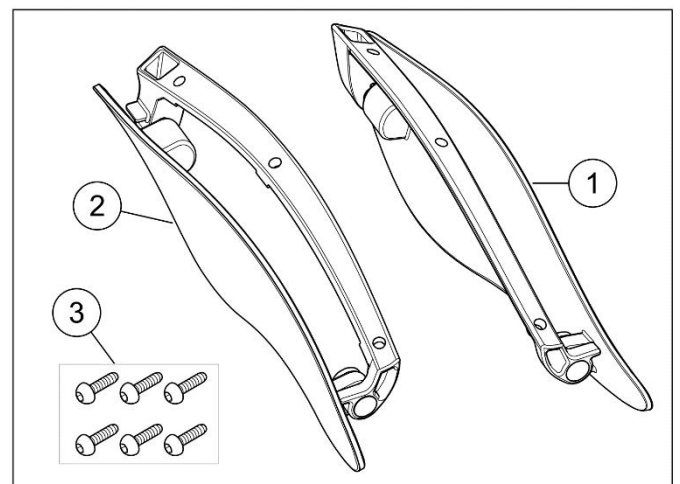
1. Kit Contents



2. Models with NO air deflectors installed: Remove and discard the hole plugs (1) from the right and left edges of the inner fairing assembly. Models WITH air deflectors currently installed: Remove and discard the screws that retain the right and left air deflectors. Remove and discard the deflectors.



3. Select a right side (1) or left side (2) air deflector, and screws (3) from the kit. Determine the correct side by holding the mounting-hole side of the deflector against the fairing.



4. Place the deflector against the inner fairing, lining up the holes. Insert the screws through the deflector holes and into the fairing air deflector holes. Tighten the screws to 2.8–3.4 N·m (25–30 in-lbs).