

Air Deflector Kit for Harley Davidson Electra Glide Street Glide

VST-010103-018



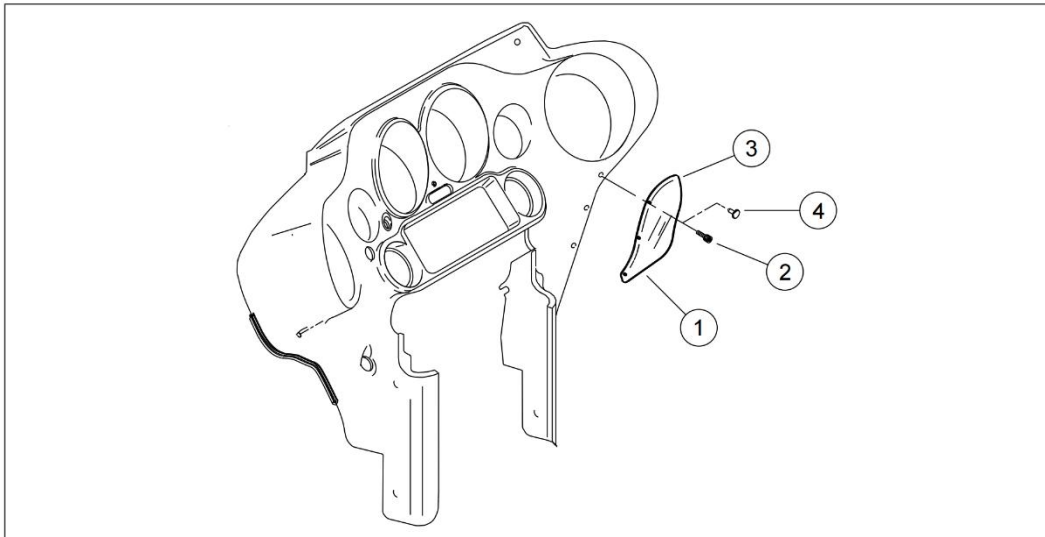
BEFORE YOU BEGIN

Read these instructions and check to be sure all parts and tools are accounted for. Please retain these installation instructions for future reference.

IMPORTANT

This AIR DEFLECTOR KIT is exclusively designed for your Motorcycle. Please read the installation instructions thoroughly before beginning. Installation is easier if the vehicle is clean and free of debris.

Kit Contents



INSTALLATION INSTRUCTIONS

Note: Shift Motorcycle transmission into "PARK". Turn key to "OFF" position and remove from Motorcycle.

1. Select a deflector (1) from kit. Determine correct side by holding mounting hole side of deflector against fairing (3). Correct deflector mounting holes will correspond to air deflector hole plugs (4) on fairing.
2. Remove air deflector hole plugs (4) from fairing (3).
3. Place deflector (1) against inner fairing. Insert screws (2) through deflector holes and into fairing air deflector holes. Tighten the screws snugly.
4. Repeat Steps 2 and 3 for the remaining deflector.