

Front Fender Skirt Kit for Harley Road Glide

VST-010108-001



BEFORE YOU BEGIN

Read these instructions and check to be sure all parts and tools are accounted for. Please retain these installation instructions for future reference.

IMPORTANT

This Front Fender Skirt Kit is exclusively designed for your vehicle. Please read the installation instructions thoroughly before beginning. Installation is easier if the vehicle is clean and free of debris.

INSTALLATION INSTRUCTIONS

Note: Shift vehicle transmission into "PARK". Turn key to "OFF" position and remove from vehicle.

Replacement Skirt Installation

1. See Figure 1. Remove screws, washers and nuts securing existing fender skirt to fender. Discard fender skirt and hardware.

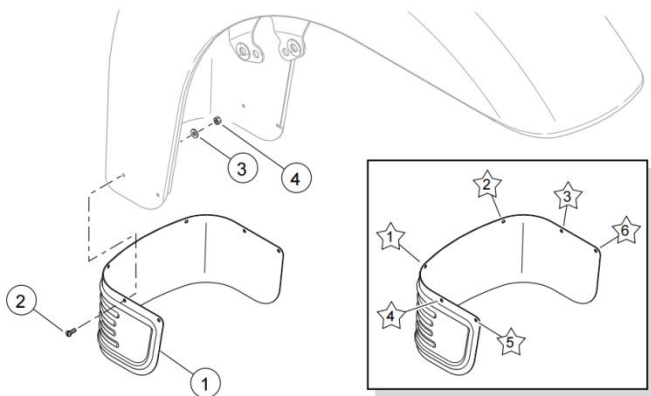


Figure 1.

(Service Parts: Front Fender Skirt, Chrome or Black)

Note: Install the new washers on the inside of the fender.

2. Clean the fender in the skirt mounting area with a mixture of 50 percent isopropyl alcohol and 50 percent distilled water. Allow to dry completely.

3. Get the new fender skirt (1), fender skirt mounting screws (2), washers (3) and nuts (4) from the kit. Align the fender skirt as shown. Install skirt to fender, but do not fully tighten. Follow the tightening sequence in Figure 1. inset.

Press the fender skirt firmly against the fender at each hole in turn while tightening the

mounting hardware to 1.1–1.7 N·m (10–15 in-lbs).

Clean Fender Installation

Warning

Do not contact tire with drill bit when drilling fender holes. Drill bit contact with tire can lead to premature tire failure, which could result in death or serious injury.

Note: To install this skirt kit on a Clean Front Fender, perform the following:

1. Clean the fender in the skirt mounting area with a mixture of 50 percent isopropyl alcohol and 50 percent distilled water. Allow to dry completely.

2. See Figure 2. Cover that portion of fender with masking tape to protect painted surface during positioning of skirt and drilling of mounting holes (1).

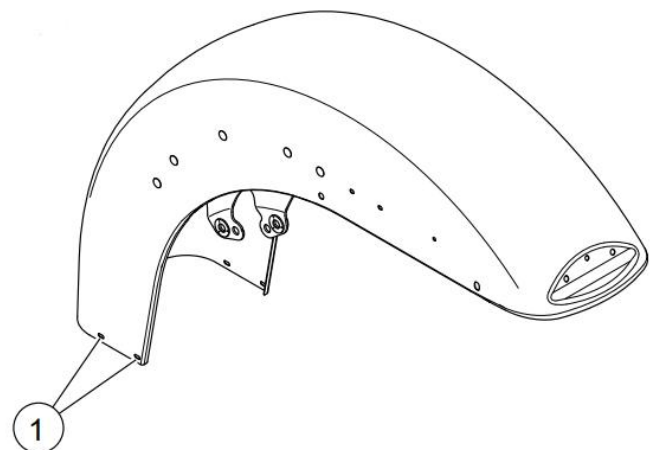


Figure 2. Clean Front Fender Hole Locations

3. Place fender skirt in desired location and mark mounting hole locations with felt tip pen. Align the lower edge of the fender skirt parallel to, but slightly below the lower edge of the fender.

Front Fender Skirt Kit for Harley Road Glide

VST-010108-001



4. Remove fender skirt. Carefully center punch holes at marked locations.
5. Drill mounting holes using a 3 mm ($\frac{1}{8}$ in) diameter drill bit.
6. Remove masking tape. Attach fender skirt as described under Replacement Skirt Installation, Step 3.

Installation Finished.